

28,00 m



26,00 m



16,00 m



180x70x110



225 kg



∞



aluminium



90°+90°



hydraulic

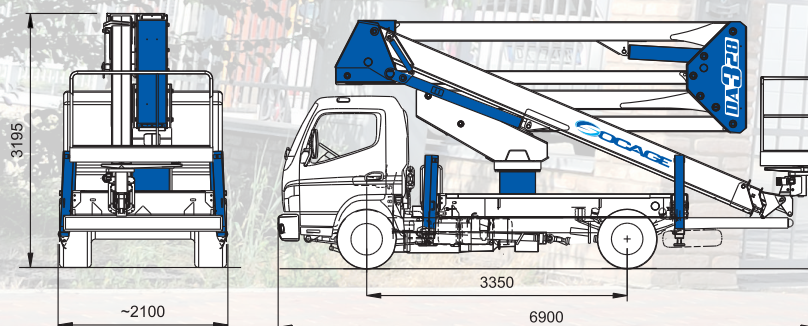
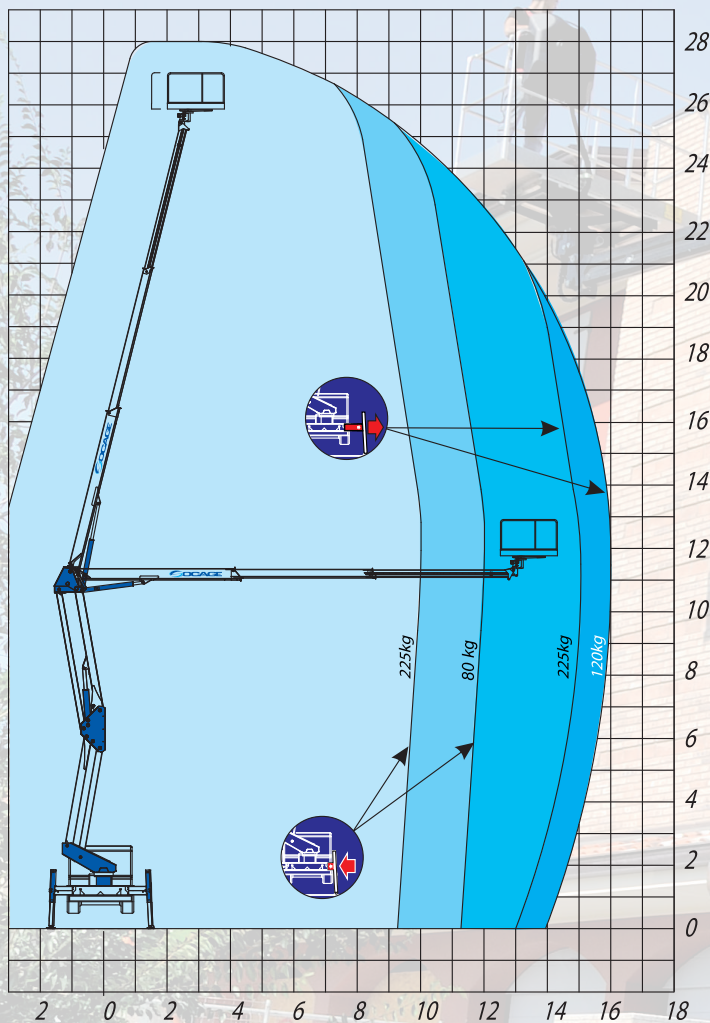


ME+ME



5.6 t

## DA328



**SOCAGE**

